

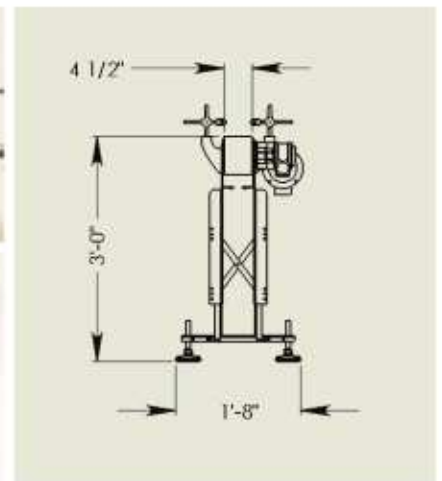
# Bottle Handling Solutions

## SC Series Conveyor



The traditional stainless steel SC series conveyor comes standard with a 4.5" Acetal chain in lengths of 5, 10, 15 and 20 feet, with custom lengths available. The SC series conveyors are variable speed gear driven and constructed of heavy duty 304 stainless steel.

The modular design of the Apex SC series conveyor allows easy integration into equipment you already have in place. It also allows additional sections to be easily added in the future.



## Features

- 304 stainless steel construction
- Low friction, acetal chain
- 1/2 HP DC, Leeson gear motor
- 115V/1φ/50-60Hz Variable frequency drive
- Standard lengths from 5 – 20 feet in 30 inch increments with custom lengths available
- One set of tool less side guides
- Made in the USA

## Options

- Double stainless steel rail system with tool-less brackets
- Custom lengths
- Curved 90/45 degree sections for L, U, & S shapes
- Sanitary construction (elevated chain to facilitate washdown)
- Washdown-duty motors and controls
- Alternate frame & materials
- Additional conveyor chain widths
- Hazardous location/environment construction
  - Class I, Division II, Groups C & D