



An "all in one" Bottle Filler and Capper designed specifically for the CBD and Essential Oil industries.

Apex Entry Level Tincture Filler Capper with its small footprint and ease of portability make this "All in One" bottler ideal for both the CBD Industry and Essential Oil Industry.

The loading turn table unscrambles and transfers the empty bottles to the automatic conveyor where they are automatically indexed and filled. The filled bottles are then indexed to the capping station where the single head chuck capper torques the hand placed caps. Filled and capped bottles then accumulate on the bottle accumulation turn table where an operator can easily pack them for distribution.



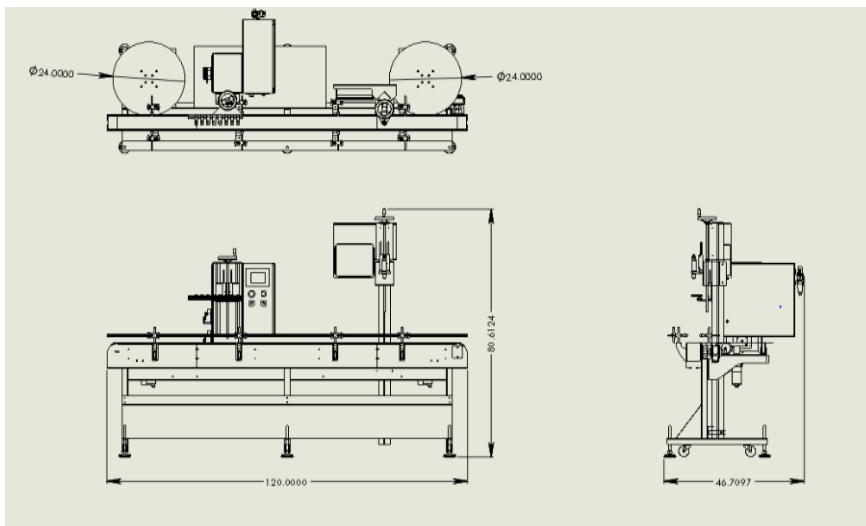
Entry Level Tincture Filler Capper

Features

- Heavy duty 304SS tig frame
- Heavy duty casters for portability
- User friendly PLC control
- Touch screen HMI
- Diving Fill Head Module
- No Bottle/No Fill Sensor
- Automatic Chuck Cap Tightener
- 30" Loading and Accumulating Turntables
- Made in the USA

Options

- Automatic Bottle Drip Tray
- Automatic Bottle Neck Locators



Applications:

- *CBD Oils
- *Essential Oils
- *Vape and E-Cig
- *Herbal Products
- *Cosmetics
- *Supplements